

PRODUCT INFORMATION PACKET

Model No: 145TBFR5309
Catalog No: T031
3,3600,TEFC,145T,1/60/208-230
Power Tools



Regal and Marathon are trademarks of Regal Beloit Corporation or one of its affiliated companies.

©2018 Regal Beloit Corporation, All Rights Reserved. MC017097E





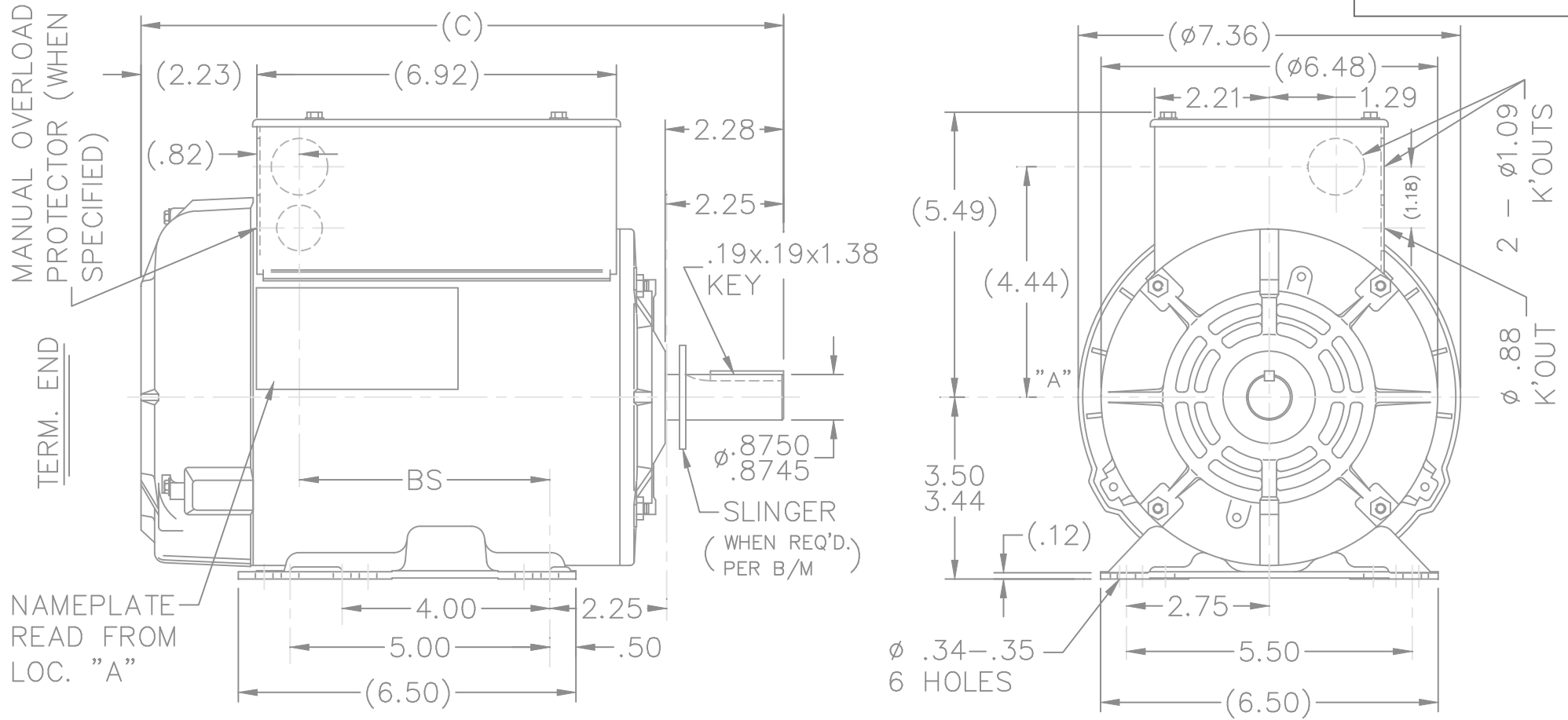
Nameplate Specifications

Output HP	3 Hp	Output KW	2.2 kW
Frequency	60 Hz	Voltage	208-230 V
Current	13.1-11.8 A	Speed	3510 rpm
Service Factor	1.15	Phase	1
Efficiency	84 %	Duty	Continuous
Insulation Class	B	Design Code	L
KVA Code	H	Frame	145T
Enclosure	Totally Enclosed Fan Cooled	Overload Protector	Manual
Ambient Temperature	40 °C	Drive End Bearing Size	6205
Opp Drive End Bearing Size	6203	UL	Recognized (Not Protector)
CSA	Y	CE	Y
IP Code	43		

Technical Specifications

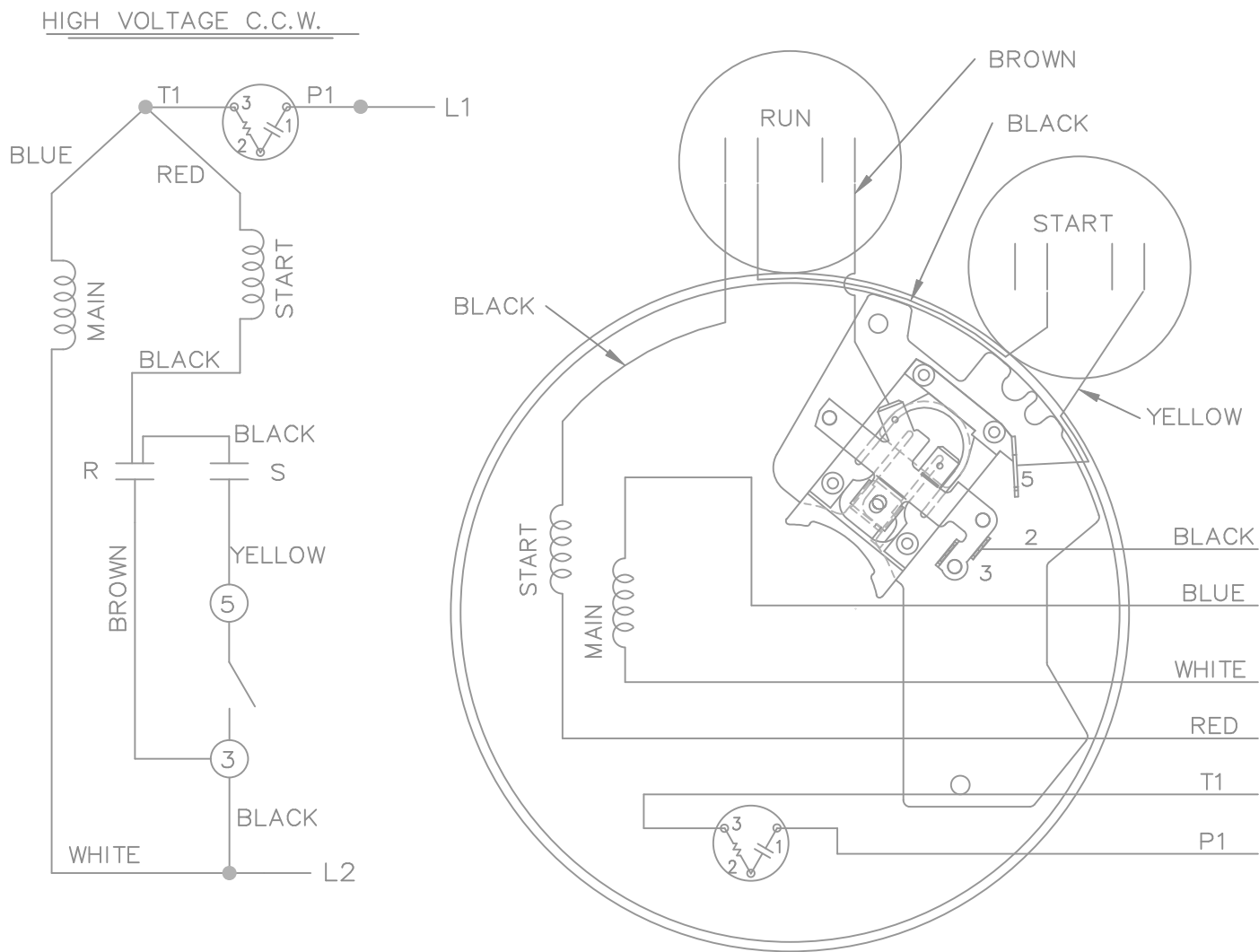
Electrical Type	Capacitor Start Capacitor Run	Starting Method	Across The Line
Poles	2	Rotation	Selective Counterclockwise
Mounting	Rigid base	Motor Orientation	Horizontal
Drive End Bearing	Ball	Opp Drive End Bearing	Ball
Frame Material	Rolled Steel	Shaft Type	T
Overall Length	14.87 in	Frame Length	9.56 in
Shaft Diameter	0.875 in	Shaft Extension	2.28 in
Assembly/Box Mounting	F3		
Outline Drawing	A-100294-956	Connection Diagram	102006-74

This is an uncontrolled document once printed or downloaded and is subject to change without notice. Date Created: 06/29/2018



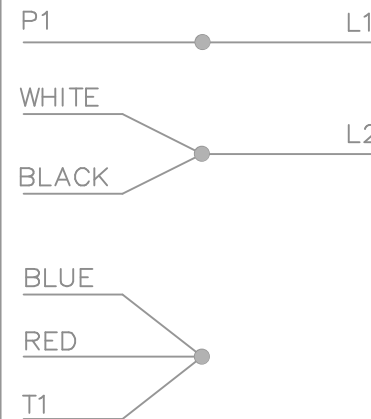
DASH	FRAME	C	BS
806	145T	13.37	5.82
856	145T	13.87	6.32
906	145T	14.37	6.82
956	145T	14.87	7.32

			TOLERANCES UNLESS SPECIFIED			DRAWN GK 06-09-1988					
			DEC.	INCHES		CHK ML 06-09-1988	APPD FG 06-09-1988	SCALE 11=32	REF		
4	UPDATED DRAWING	RJW 03-28-2007	.X	±.1	TITLE OUTLINE 140 FR. - TEFC - 1φ - BB						
3	REDRAWN IN AUTOCAD	TAT 06-24-2005	DRS .XX	±.03							
2	NOTE ADDED TO SLINGER CN 12503	GK 07-30-1990	.XXX	±.005							
1	NEW DRAWING 3491443	GK 06-09-1988	.XXXX	±.0005							
NO.	REVISION	BY & DATE	CHK	ANG	±'30"	MAT'L.	FINISH	FMF	PREV		
THIS DRAWING IN DESIGN AND DETAIL IS OUR PROPERTY AND MUST NOT BE USED EXCEPT IN CONNECTION WITH OUR WORK ALL RIGHTS OF DESIGN AND INVENTION ARE RESERVED THIS IS AN ELECTRONICALLY GENERATED DOCUMENT - DO NOT SCALE THIS PRINT						RFP	CAD FILE 100294	SIZE A	DRAWING NO. 100294	PAGE OF	REV. 4
						DIST WP					



HIGH VOLTAGE CAPACITOR
START OVERLOAD
SELECT ROTATION

HIGH VOLTAGE C.C.W. ROT.



FOR C.W. ROTATION
INTERCHANGE RED WITH
BLACK LEAD

			TOLERANCES UNLESS SPECIFIED			DRAWN KL 11-19-1993			
			DEC.	INCHES		CHK ML 12-07-1993			
				.X	±.1		APPD GK 12-07-1993		
4	CHANGED WIRE F/ BLACK TO/ BROWN CN46371	RJW 01-31-2006	ML	.XX	±.02	TITLE CONNECTION DIAGRAM	SCALE 5=8		
3	CAP LEAD COLORS REV'D CN 16210	AJS 08-29-1994		.XXX	±.005		REF		
2	REDRAWN ON CADD, NO CHANGED	KL 12-08-1993		.XXXX	±.0005	MAT'L.	FMF		
NO.	REVISION	BY & DATE	CHK	ANG	±'30"	FINISH	PREV		
THIS DRAWING IN DESIGN AND DETAIL IS OUR PROPERTY AND MUST NOT BE USED EXCEPT IN CONNECTION WITH OUR WORK ALL RIGHTS OF DESIGN AND INVENTION ARE RESERVED THIS IS AN ELECTRONICALLY GENERATED DOCUMENT - DO NOT SCALE THIS PRINT			RFP	CAD FILE 102006_74		SIZE A	DRAWING NO. 102006-74	PAGE OF 4	REV. 4
			DIST	WP					

